

General Damper Description

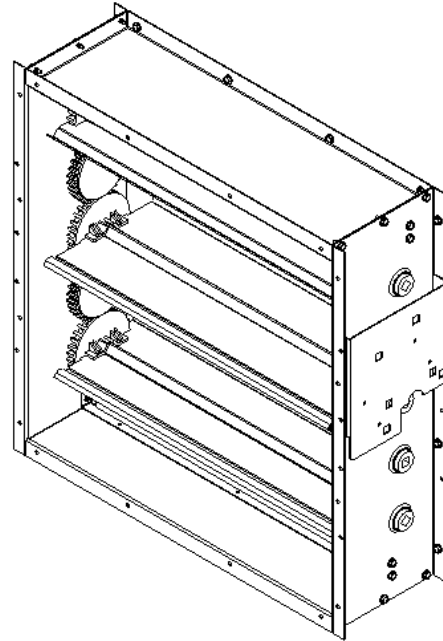
Grupo Collado manufactures standard leak galvanized steel dampers for the commercial heating and air conditioning industry. These dampers are typically used in an air economizer application. Grupo Collado damper information can be found at www.collado.com/mx.

Damper Features

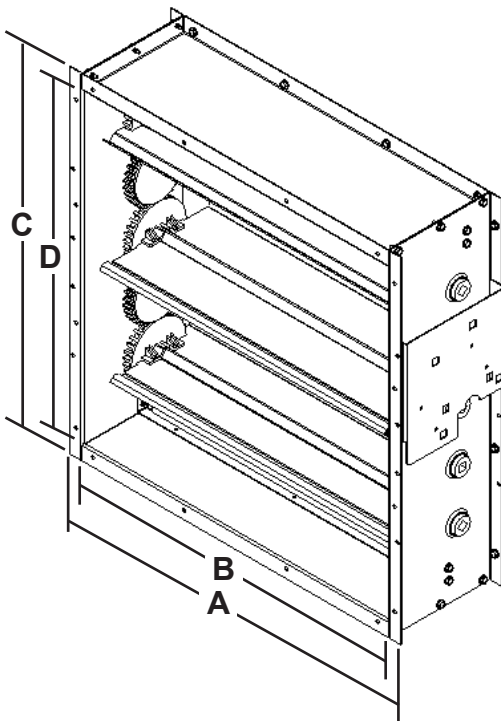
The standard leak dampers are typical opposed blade action type, and are driven by internal gears. Blades and frame are constructed of heavy gage galvanized steel.

Blade edges include flex-seals for blade-to-blade and blade to frame seal.

Note: Grupo Collado also manufactures low leak dampers.



IMPORTANT: Grupo Collado economizer dampers are licensed through MicroMetl Corporation.



Damper Sizes:

Min "B" Dimension: 12.0"

Min "D" Dimension: 6.25"

Max "B" Dimension: 68.0"

Max "D" Dimension: 42.0"