

General Damper Description

Grupo Collado manufactures low leak galvanized steel dampers for the commercial heating and air conditioning industry. These dampers are typically used in an air economizer application, and meet many energy codes including California's Title 24, and ASHRAE 90.1 requirements.

Grupo Collado damper information can be found at www.collado.com/mx.

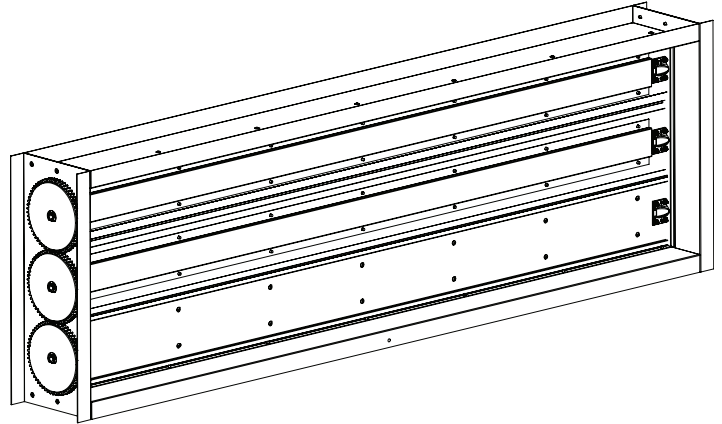
Damper Features

The low leak dampers are opposed blade action type, and are driven by 6" diameter external gears. Blades and frame are constructed of heavy gage galvanized steel. Longer blades include structural reinforcements.

Blades are attached to gears by a metal blade bracket at the end of each blade. The bracket rides in a bushing to ensure long life and usage.

Damper sides include stainless steel spring-action seals to ensure minimal leakage at blade ends. Blade edges include flex-seals for blade-to-blade and blade to frame seal.

Note: Grupo Collado also manufactures standard leak dampers.



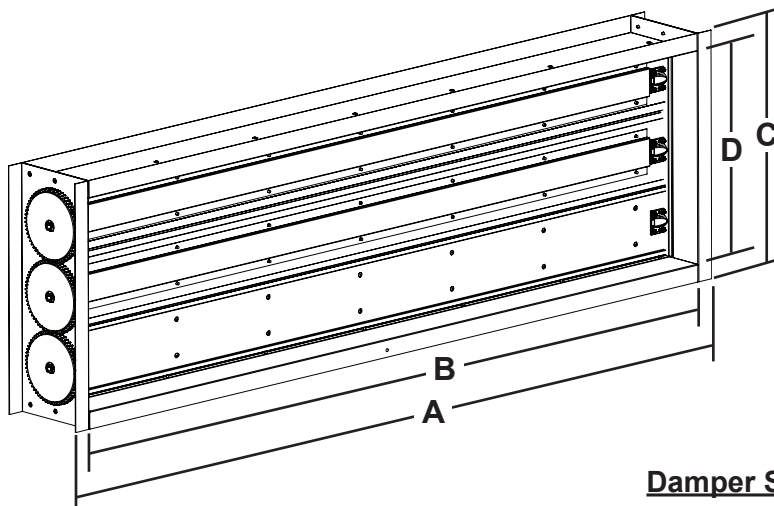
Low Leak Damper

Leakage Data

Grupo Collado low leak economizer have been tested to verify a maximum leakage of 4 CFM on outside air and 10 CFM on return air at 1" w.g.

At 1" w.g. through damper, velocity is approximately 1900 FPM.

IMPORTANT: Grupo Collado economizer dampers are licensed through MicroMetl Corporation.



Damper Sizes:

Min "B" Dimension: 12.0"

Min "D" Dimension: 6.25"

Max "B" Dimension: 68.0"

Max "D" Dimension: 42.0"